

## NKXR50-Z-XL

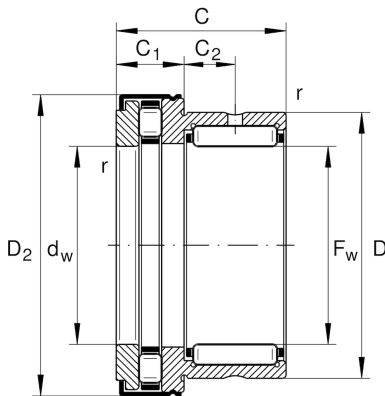
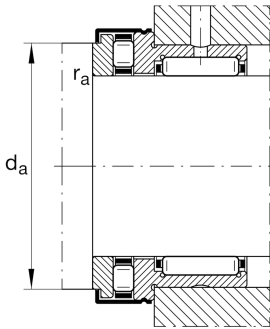
Needle roller/axial cylindrical roller bearing

Schaeffler ID:  
0507922450000

Needle roller/axial cylindrical roller bearings NKXR...-Z, axial component, single direction, to DIN 5429, with end cap, for grease lubrication

X-life

### Technical information



### Main Dimensions & Performance Data

|          |             |                                   |
|----------|-------------|-----------------------------------|
| $F_w$    | 50 mm       | Bore diameter                     |
| $D$      | 62 mm       | Outside diameter                  |
| $C$      | 35 mm       | Height                            |
| $C_r$    | 43,000 N    | Basic dynamic load rating, radial |
| $C_{0r}$ | 74,000 N    | Basic static load rating, radial  |
| $C_a$    | 62,000 N    | Basic dynamic load rating, axial  |
| $C_{0a}$ | 177,000 N   | Basic static load rating, axial   |
| $C_{ur}$ | 12,900 N    | Fatigue load limit, radial        |
| $C_{ua}$ | 17,700 N    | Fatigue load limit, axial         |
| $n_G$    | 4,800 1/min | Limiting speed                    |
| $n_{gr}$ | 1,700 1/min | Reference speed                   |
|          | 285.96 g    | Weight                            |

### Dimensions

|             |               |                                      |
|-------------|---------------|--------------------------------------|
| $D_{1\max}$ | 71.5 mm       | Maximum outside diameter flange      |
|             | IR45X50X25-XL | Suitable inner rings IR              |
| $D_{2\max}$ | 71.5 mm       | Maximum outside diameter flange      |
| $C_1$       | 14 mm         | Width of the axial bearing component |
| $C_2$       | 10 mm         | Distance to lubrication hole         |
| $d_w$       | 50 mm         | Bore diameter of shaft washer        |
| $r_{\min}$  | 0.6 mm        | Minimum chamfer dimension            |

### Mounting dimensions

|             |         |                                   |
|-------------|---------|-----------------------------------|
| $d_a$       | 65.5 mm | Mounting dimension shaft shoulder |
| $r_{a\max}$ | 0.6 mm  | Maximum recess radius             |

### Temperature range

|            |        |                            |
|------------|--------|----------------------------|
| $T_{\min}$ | -30 °C | Operating temperature min. |
| $T_{\max}$ | 120 °C | Operating temperature max. |